

Unwinding Module UW8

Dynamic Unwinding Module

kernMail



Generation 8 Printer Online Paper Processing System

For the continuous feeding of inserting or other finishing systems, by pressing a button the roll to be processed (max. 900 kg) with the core shaft inserted is brought into the working position by the motor-driven mechanism with optimized speed.

After the paper web has been pulled in manually, the module is initialized automatically.

The paper web is fed electronically controlled to the following finishing system. The rolls to be processed can be unwound in both directions of rotation.

Features

- Connection to all common Kern inserting systems
- Simple and efficient roll change with automated setup function
- Indication on the display of remaining running time and remaining running meter
- Processing of paper rolls up to 900 kg
- High acceleration range (use on inserting systems)
- Higher availability of the module thanks to integrated fault diagnosis
- Use of a Euro-pallet for reel handling

Our Services

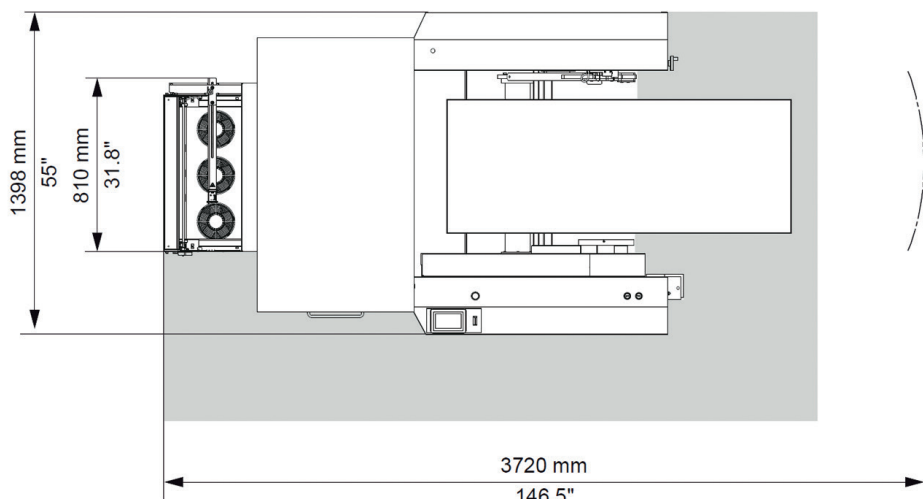
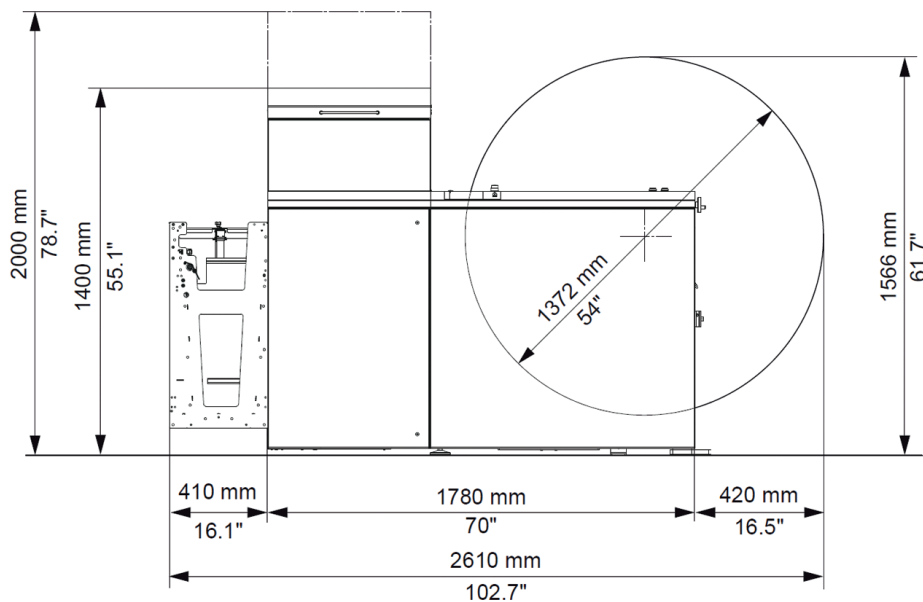
- Personal consultancy on-site
- Requirement analysis, and solution proposal according to customer needs
- Installation by Kern AG
- System integration
- On-site training of your employees
- Reliable support and maintenance during operation
- Customer-oriented service models

Additional functions

- Web transport slack
- Web transport tight
- Web transport tension
- Web transport inserting systems
- Maintenance unit for external air supply
- Compressor for internal air supply
- Core shafts: 70 mm, 76 mm (3"), 125 mm (5"), 150 mm, 200 mm
- Reel stop: 70 mm, 76 mm (3"), 125 mm (5"), 150 mm, 200 mm
- Speed packages: 100 m/min, 150 m/min, 180 m/min, 220 m/min, 250 m/min
- Web decurler
- Loop stabilizer (Inserting systems)
- Transformer (8.3 kVA)
- Tear-off-ruler
- Web Cleaning Module iPEM 570.1



Technical Data Unwinding Module UW8



Technical Data

- Paper weight: 40 – 300 gsm
- Max. roll weight: 900 kg (1984 lbs)
- Speed up to: 254 m/min (830 ft/min)
- Paper web width: 165 – 571 mm (6.5" – 22.5")
- Max. roll diameter: 1370 mm (54")
- Slack web: 11 N
- Tight web: 11 – 80 N
- Web tension: 30 – 250 N
- Main power connection: 400-480 VAC-3LPE, +/- 10%, 50/60 Hz, 16A
- Nominal current: 1.6 A
- Effective output: 600 W
- Apparent power: 1150 VA
- Compressed air: 6 bar (87 psi)
- Weight: 830 kg (1830 lbs)
- Maximum floor loading: 6623 N/m³
- Heat dissipation: 2047 BTU/h (2160 kJ/h)
- Sound pressure level: 71 dB (A)

Kern AG

3510 Konolfingen
Switzerland

Phone +41 31 790 35 35
info.switzerland@kernworld.com
www.kernworld.com